

BOMARC ECONOMICAL SERIES Injection Robot Arm

General Specification

Power Source	Working Pressure	Max. Allowed Pressure	Drive System	Swivel
1ΦAC 220V±10V 50/60Hz	5Kgf/cm ² 0.49 Mpa	7Kgf/cm ² 0.7 Mpa	Y: Servo Motor X, Z: Pneumatic Cylinder	90° Fixed Pneumatic

Main Specification

Model	BE650 ISY/IDY/WSY/WDY	BE850 ISY/IDY/WSY/WDY	BE950 WSY/WDY
Power Capacity (KVA)	1	1	1
Recommended I.M.M. (ton)	50 – 160	160 – 300	250 – 350
Traverse Stroke (mm)	1300 (1500)	1300 (1500)	1500 (1800)
Traverse Driven	AC Servo Motor		
Crosswise Stroke (mm)	P: 200, R: 100	P: 300, R: 100	P: 300, R: 100
Vertical Stroke (mm)	650	850	950
Max. Loading (kg)	3	3	3
Dry Take Out Time (s)	2.3	2.6	2.9
Dry Cycle Time (s)	8	9	10
Air Consumption (NL/cycle)	12	14	14
Net Weight (kg)	150 – 210	180 – 260	180 – 260

Model Denote:

P: Product Arm, R: Runner Arm

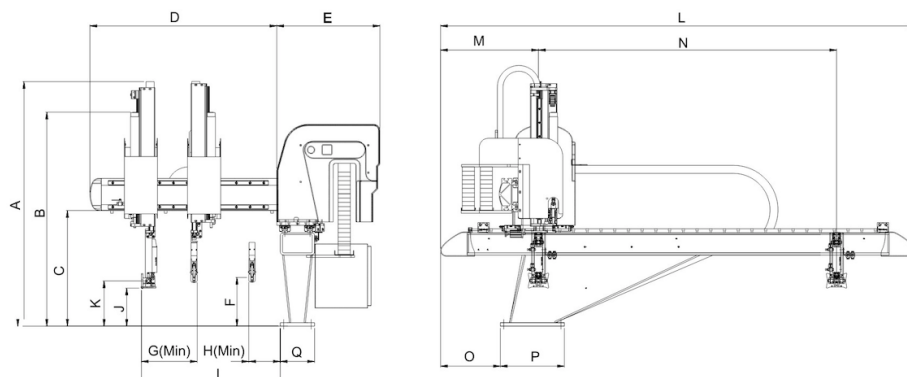
S: Product Arm (Single Arm), D: Product Arm + Runner Arm (Double Arm)

Y: Traverse Axle Driven by AC Servo Motor, **Text in red is optional for extending traverse stroke**

I: Single stage, W: Telescopic type

S3: 3 axis servo motor, S5: 5 axis servo motor

Dimension



Model	A	B	C	D	E	F	G	H	I	J	K	L	M	N	O	P	Q					
BE650 IDY(W)	1450 (1280)	1230 (1020)	580	785	450	320 (300)	220 (160)	120 (170)	670	270 (250)	330 (290)	1905	440	1300	300	350	200					
BE850 IDY(W)	1705 (1370)	1550 (1120)		965		300	160	170		780								280 (250)	250	290	2085	1500
BE950 WDY	1440	1120																				

*Note: We reserve the right to change specifications without prior notice.